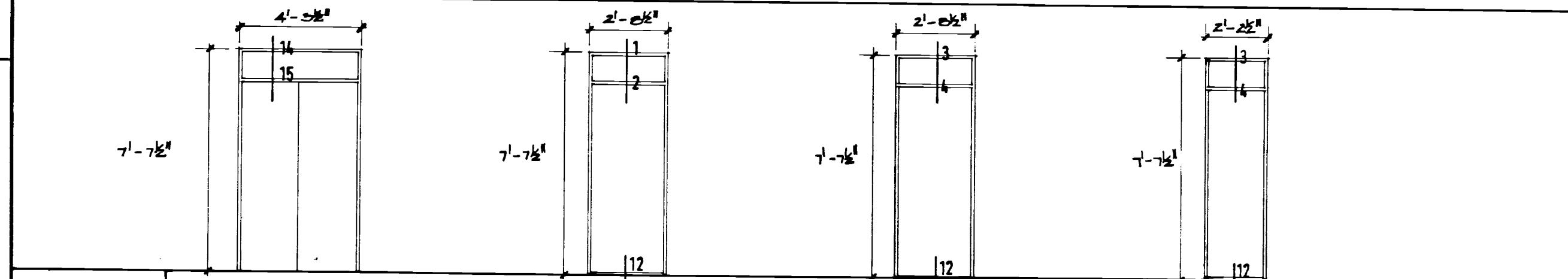


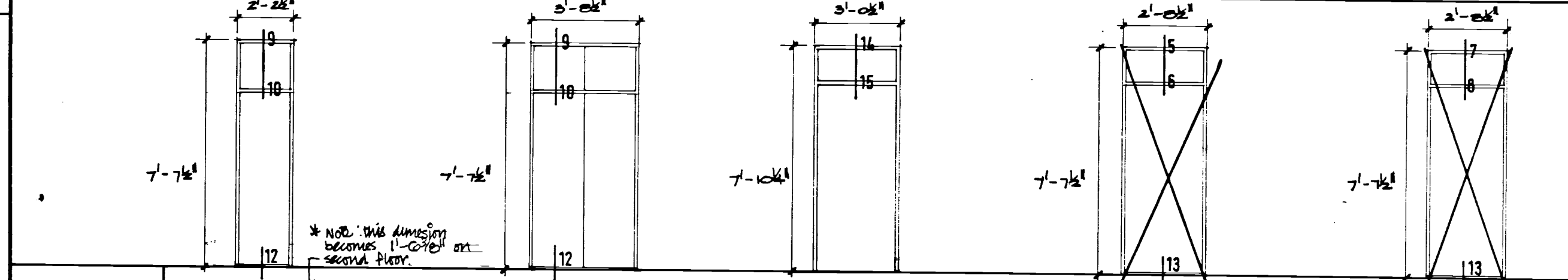
DOOR
 A 2'-0" x 6'-0" x 1 3/4" glazed door
 B 3'-0" x 6'-0" x 1 3/4" glazed door with s.s. kicking plate.
 C Fire door with vertical V joint 3"x1" African Red h/wood.
 D Fire door, Glisker Mk.20 with kick plate Red h/wood.

FRAME
 1 2
 2 Georgian wired louvre.
 3
 4



DOOR
 E Pair 2'-0" x 6'-0" x 1 3/4" FR door Mk.10 or similar.
 F 2'-0" x 6'-0" x 1 3/4" FR door Mk.10 or similar.
 G 2'-0" x 6'-0" x 1 3/4" Silkstone or similar.
 H 2'-0" x 6'-0" x 1 3/4" Silkstone or similar.

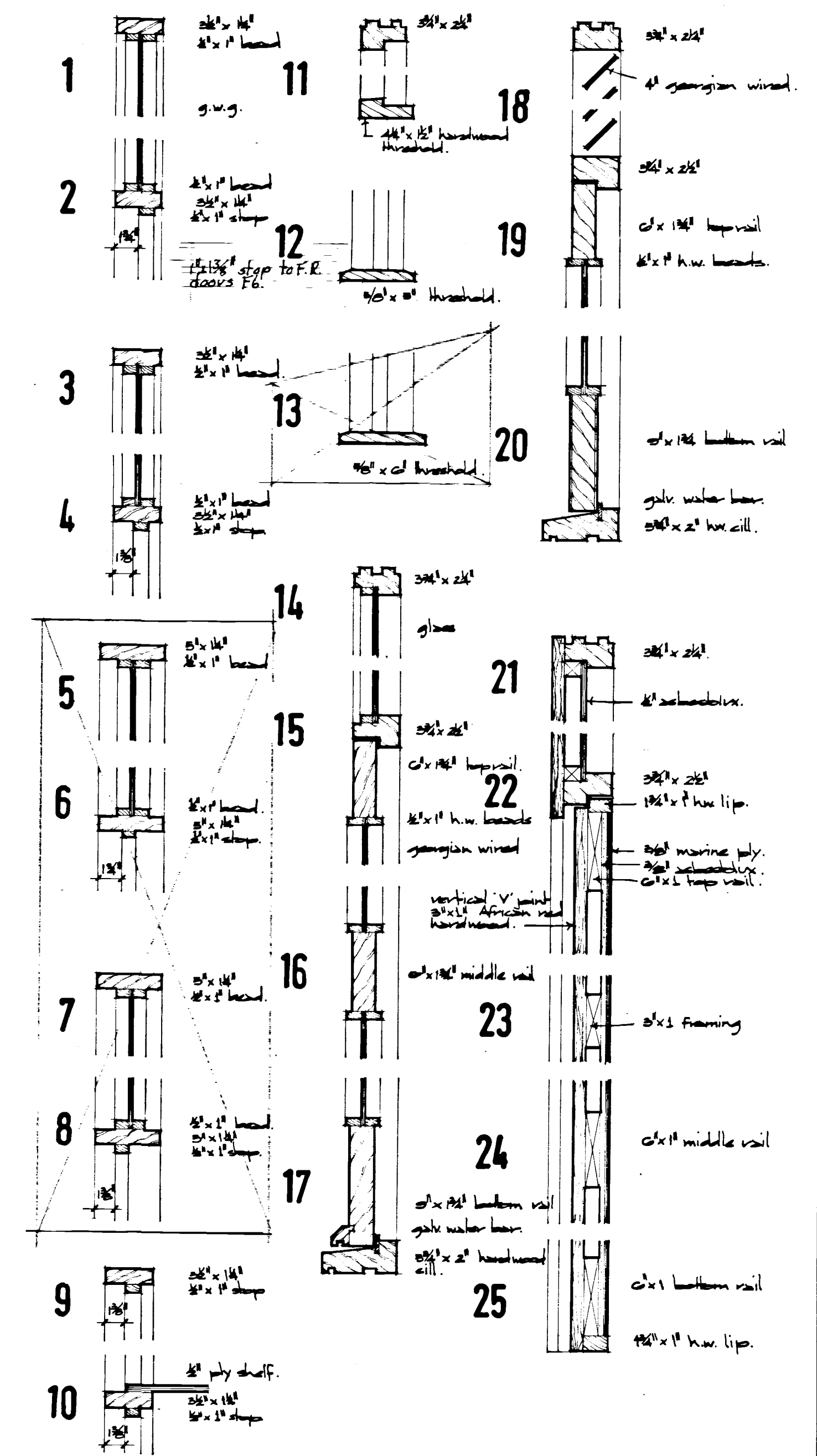
FRAME
 5 6
 5 3/8" sashlock panel.
 6 Georgian wired panel.
 7 ply panel.
 8 ply panel.



DOOR
 I 1'-0" x 1'-4 3/4" x 1 3/4" 1'-0" x 6'-0" x 1 3/4" Silkstone or similar.
 J Pair as J.
 K 2'-0" x 6'-0" x 1 3/4" FR door Mk.20 or similar.
 L F
 M G

FRAME
 9 10 11 12 13
 9
 10
 11 Georgian wired panel.
 12 Georgian wired panel.
 13 ply panel.

* NOTE 2nd floor things to be 7'-0 1/2"



MARTINS WOOD STEVENAGE.		A - Dimensions varied.	13.9.71	1 & 2 BED FLATS.	346
		DOOR & LINING SCHEDULE.		DATE: 15.9.71	
Harry Moncrieff, F.R.I.B.A., M.T.P.L., Co-operative Planning Ltd., 73b South Side, Clapham Common, S.W.4				December 170.	4/65A