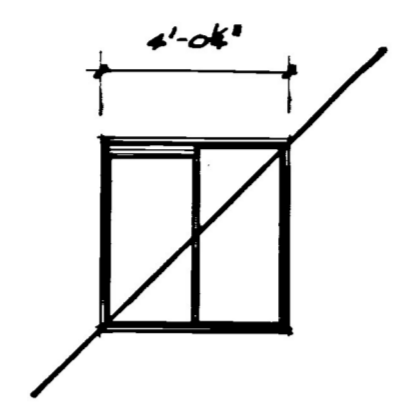
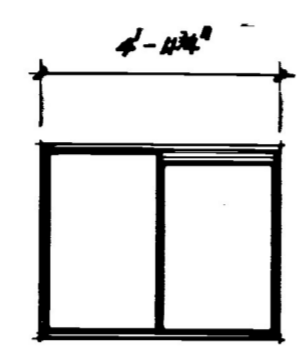


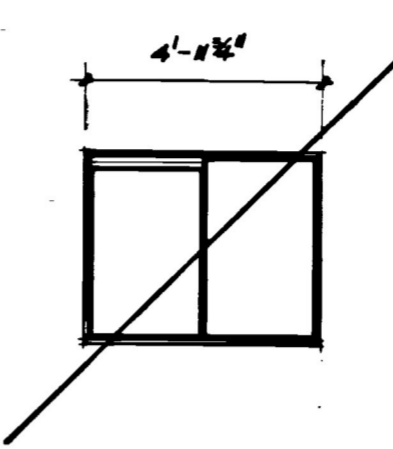
W1 24 off



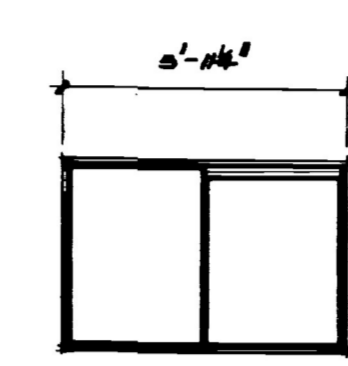
W1 Handed 12 off



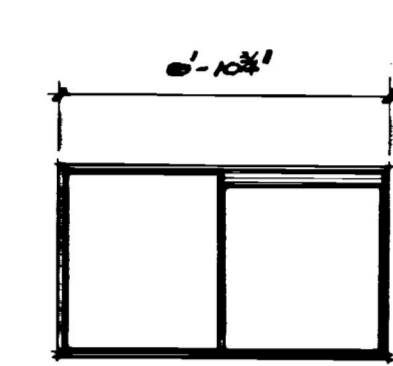
W2 48 off



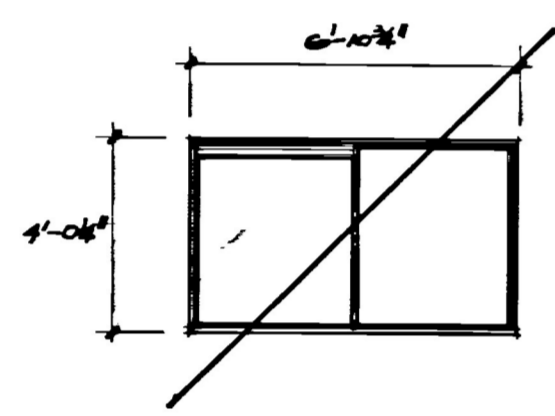
W2 H 24 off



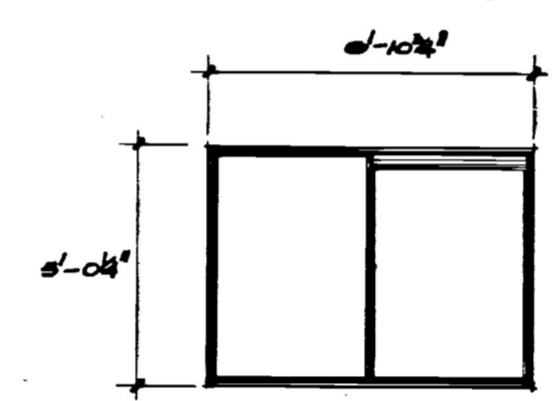
W3 80 off



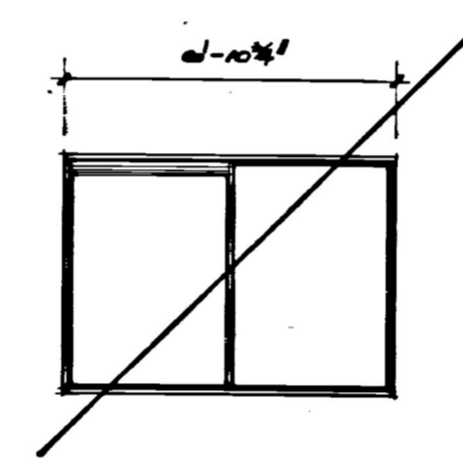
W4 12 Jff



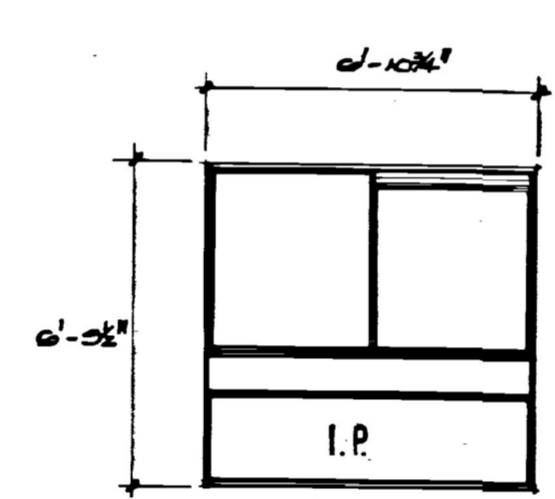
W4 H 6 off



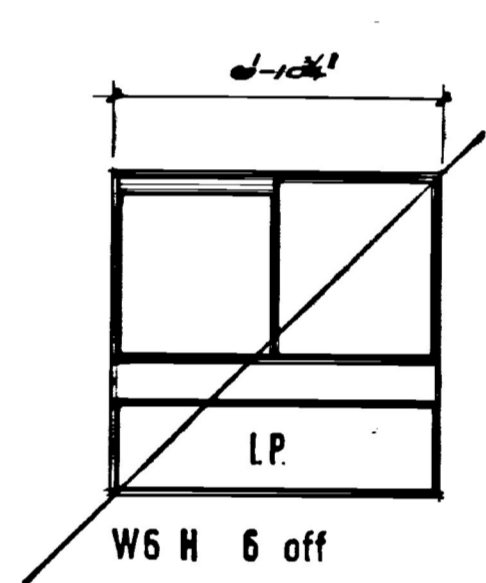
W5 12 off



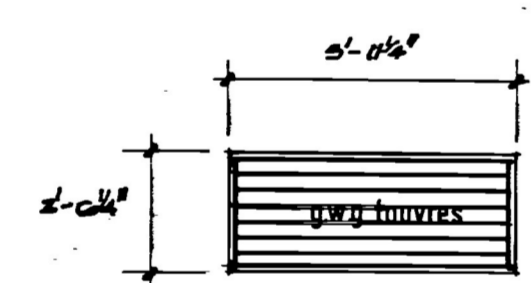
W5 H 6 off



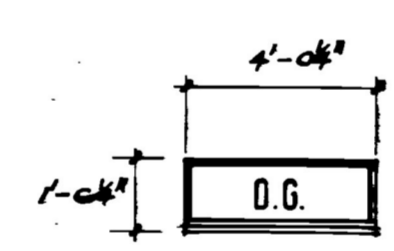
W6 12 off



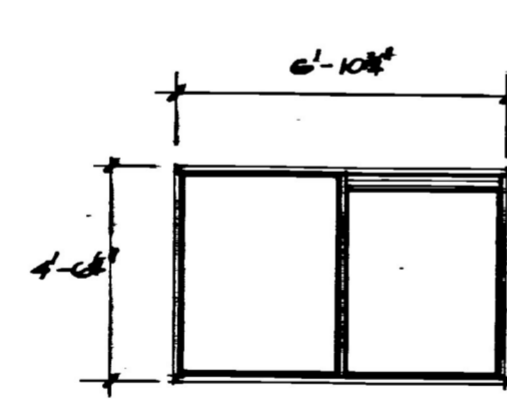
W6 H 6 off



W7 2 off [purpose-made]



W8 2 off [purpose-made]



W9 16 off

D.A.W. Cabot Range aluminium-woodframe horizontal sliding windows.

NOTE: all bathroom & w.c. windows to be glazed in obscure glass.
 all standard windows to have 'GARDAIN' night ventilators.
 all cills to be Ex 6"x2".
 D.G. direct glazing
 I.P. infill panel. [white]

MARTINS WOOD STEVENAGE.

Harry Moncrieff, F.R.I.B.A., M.T.P.I., Co-operative Planning Ltd., 73b South Side, Clapham Common, S.W.A

A all handed windows omitted & new window added, timber louvres omitted. sept 71.

Window Schedule.
 scale: 1/4" = 1'-0" November 1970